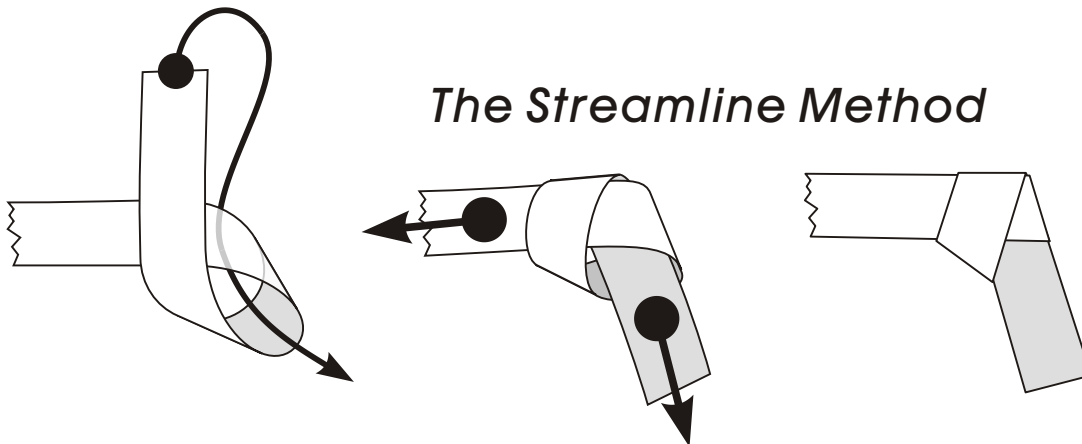


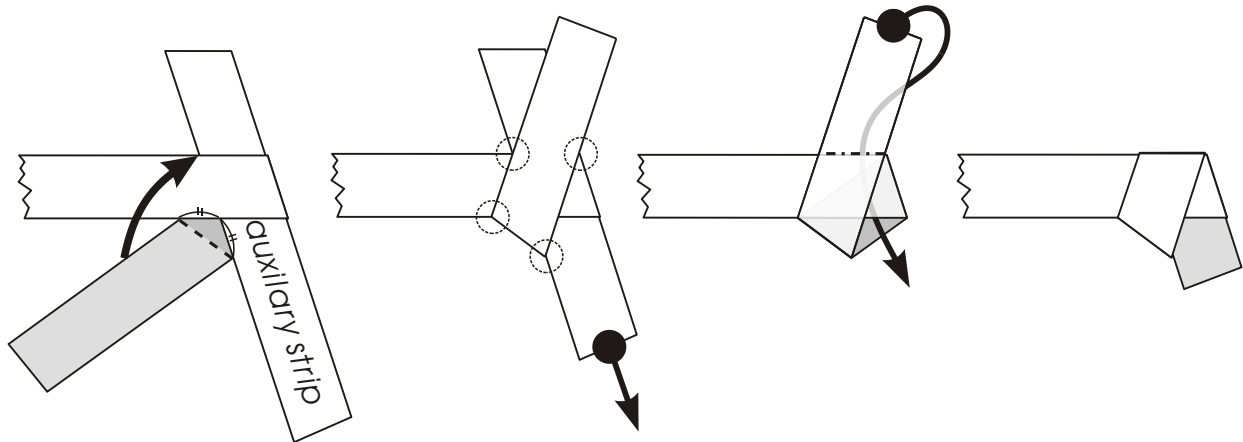
KNOTOLOGY

by Heinz Strobl, Knotologist

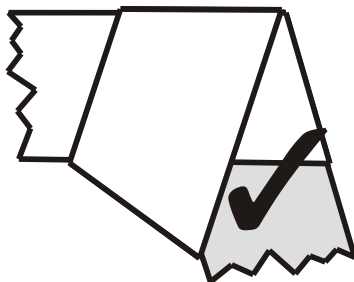
Two methods to fold a Pentagonal Knot



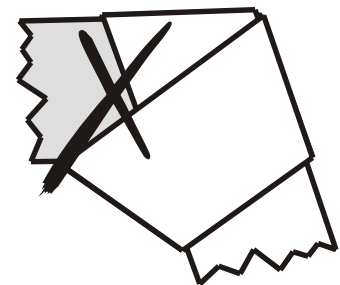
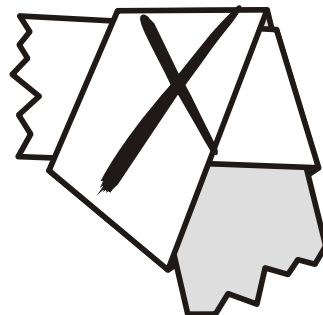
The Meticulous Method



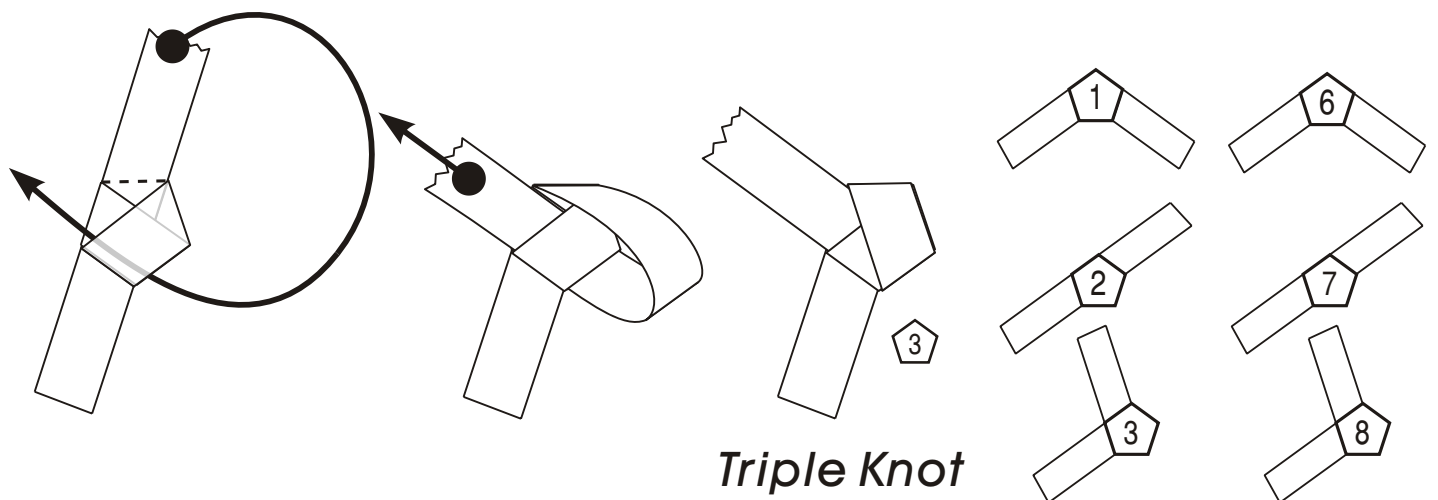
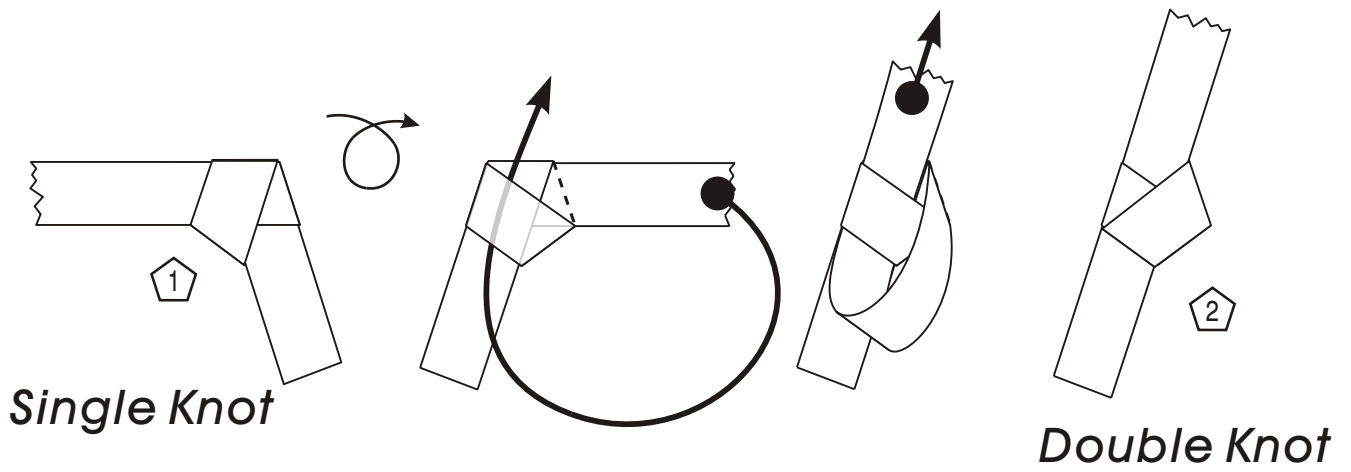
knot



and not knots:



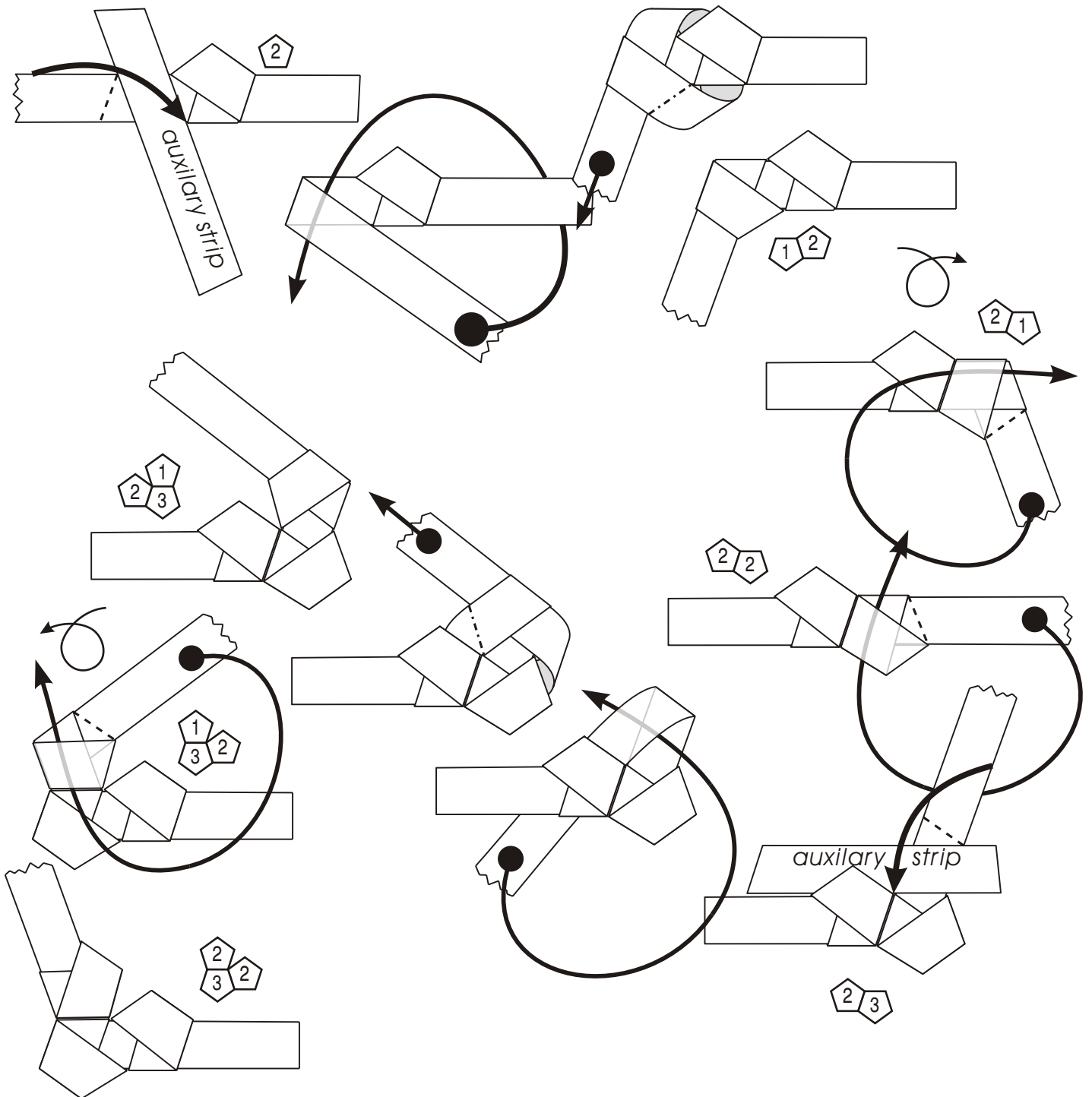
The Multiknots



add each knot layer this way

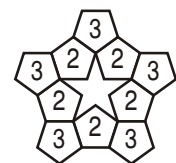


Pentagons with common edges



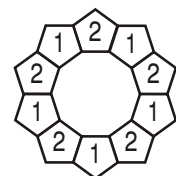
Star Module

$$\begin{matrix} \text{2} & + & \text{3} & + & \text{2} & + & \text{3} & + & \text{2} & + & \text{3} & + & \text{2} & + & \text{3} & + & \text{2} & + & \text{3} & + & \text{2} & + & \text{3} \\ \text{length of strip} & = & 100 & \text{width} \end{matrix} =$$



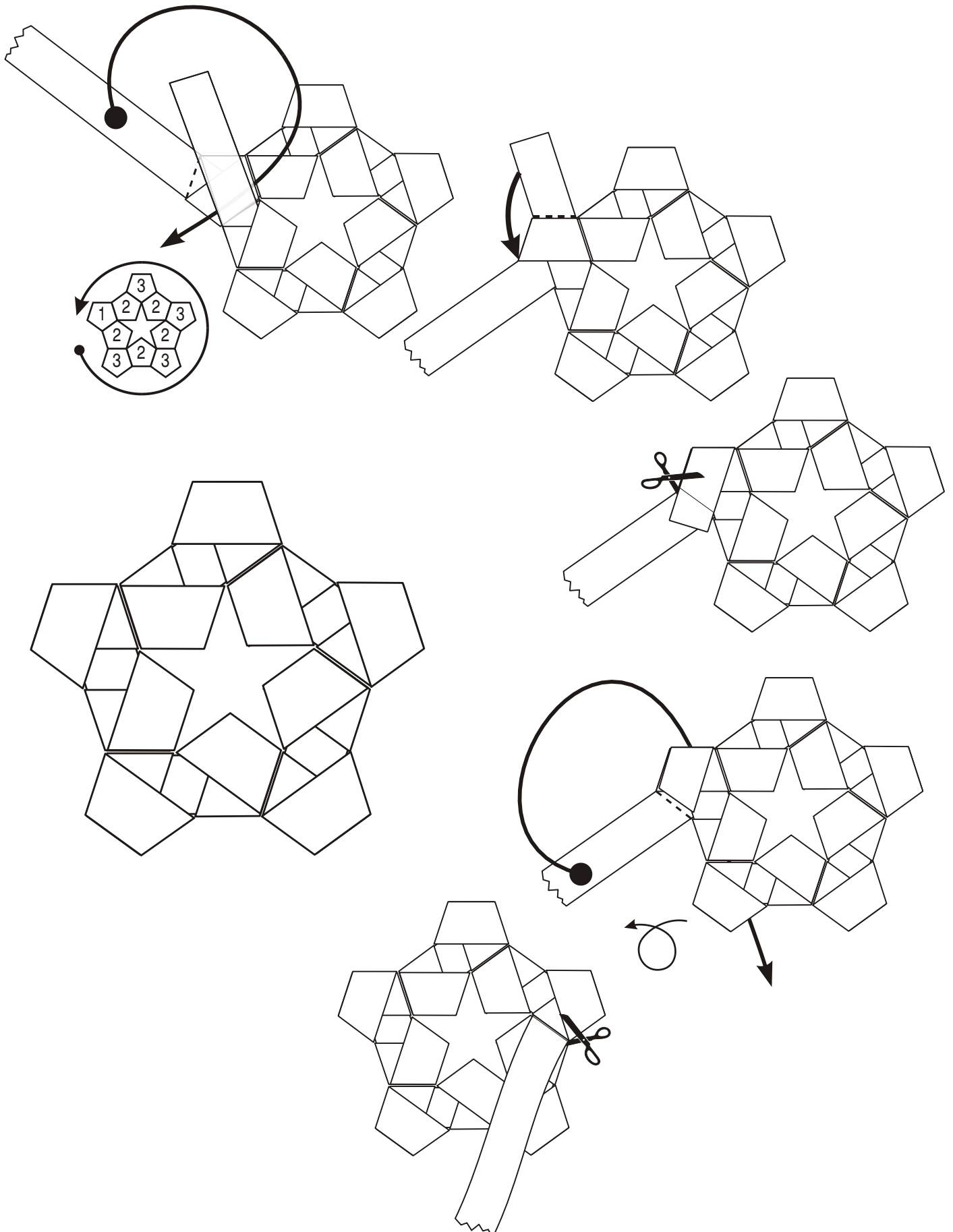
Ring Module

$$\begin{matrix} \text{2} & + & \text{1} & + & \text{2} & + & \text{1} & + & \text{2} & + & \text{1} & + & \text{2} & + & \text{1} & + & \text{2} & + & \text{1} & + & \text{2} & + & \text{1} \\ \text{length of strip} & = & 70 & \text{width} \end{matrix} =$$



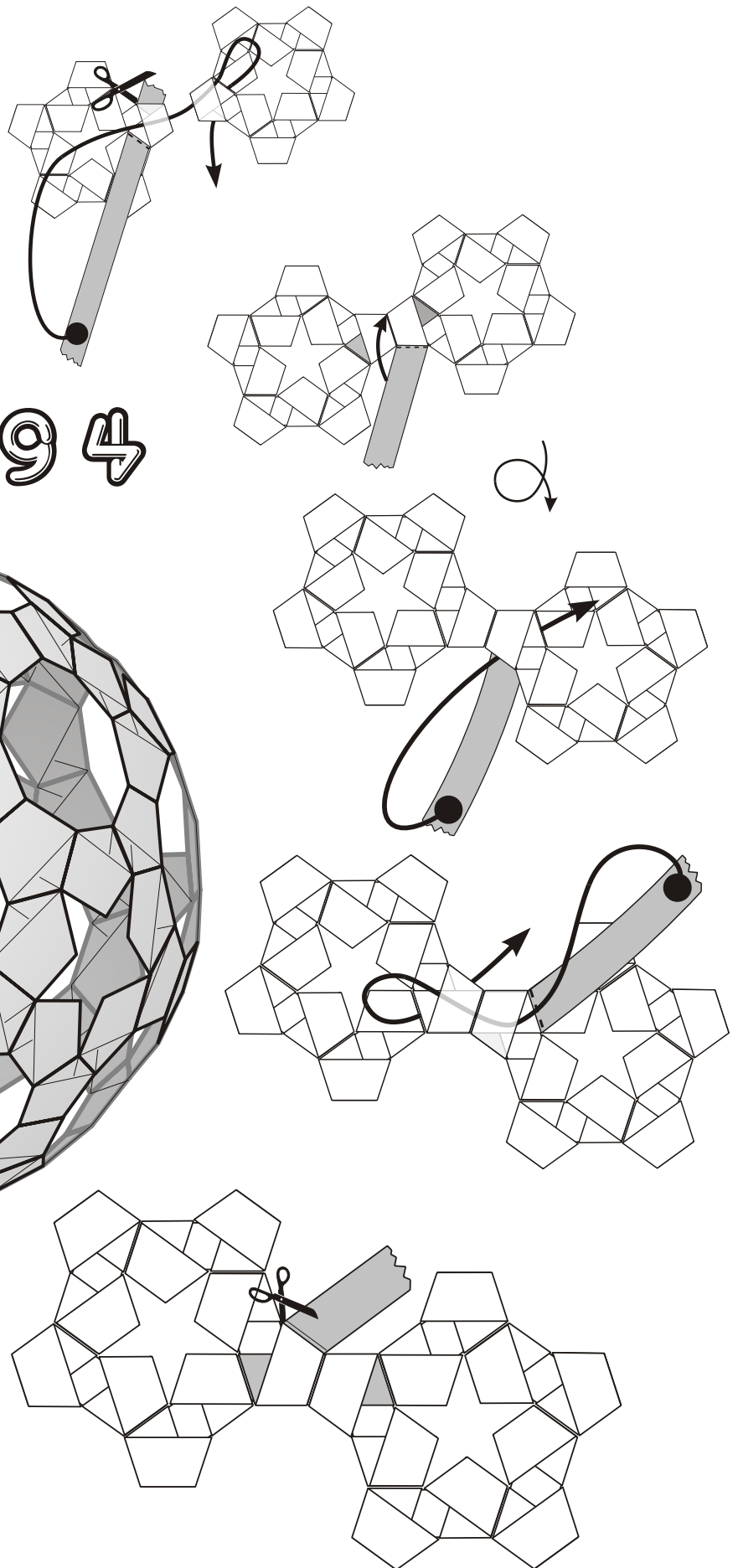
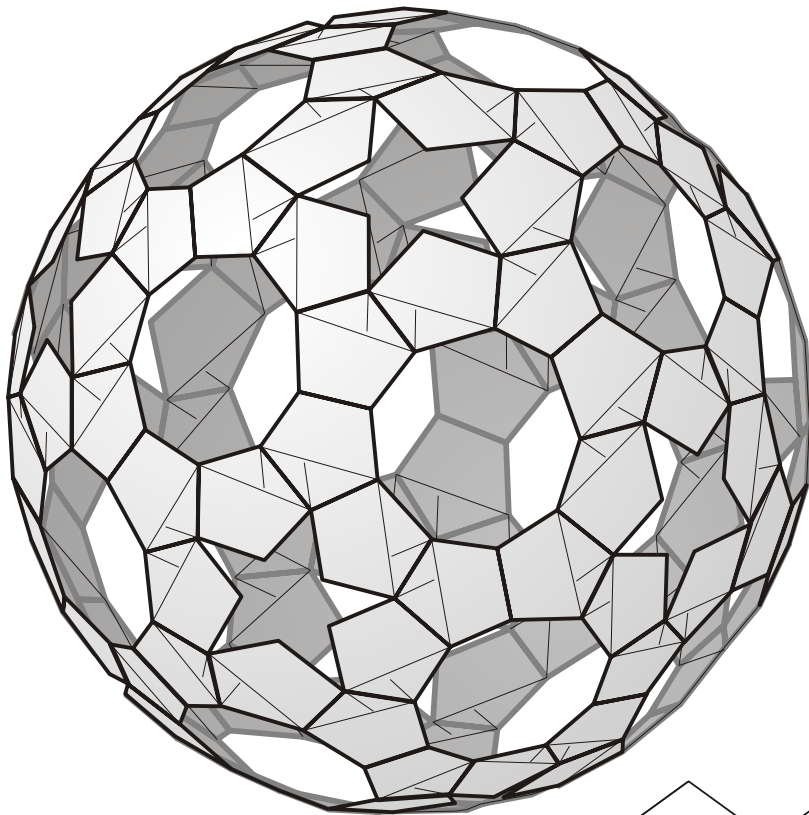
Explore further modules by combining the knots of the genealogy by yourself

Locking of the Star Module



Twelve Star
Modules sewn
together make the

SPHERE 4



©1995
Heinz Strobl
Knotologist